

Job Name: _____
 Purchaser: _____
 Engineer: _____
 Submitted To: _____
 Submitted By: _____
 Unit Designation / Schedule No: _____

Location: _____
 P.O No. : _____
 Architect: _____
 Date: _____
 For: Reference Approval Construction
 Model No: _____

Submittal Data :



Standard Features:

- 6 Year Compressor Warranty
- 1 Year Functional Parts
- 1 Year Full Condenser Replacement
- Earth Friendly Refrigerant R410A
- 24 Hour On / Off Timer
- Auto-Restart after power loss
- Low Ambient Operations
- LCD Wireless Remote Controller
- Temperature Display on Indoor Unit
- Washable, Reusable Air Filters

Capacities:

Cooling (BTU):	21,800
Heating (BTU):	24,000
Cooling Range (BTU):	6,400 - 24,000
Heating Range (BTU):	4,100 - 26,600
Power Supply (V, Ph, Hz):	208 / 230 - 1 - 60
SEER:	20.0
EER:	11.5
HSPF:	10.0
Refrigerant Type:	R410A
Low Ambient Cooling (Fahrenheit):	21 Degree
Low Ambient Heating (Fahrenheit):	5 Degree

Indoor Unit Specs:

Model Number:	GSI241HXD
Maximum / Minimum Fuse Size:	Wired from Outdoor Unit
Control Wire Information:	14 Gauge 4 Conductor Shielded Stranded
Weight (lbs):	35
Sound Rating low/med/high(dB):	38 - 42 - 45
Input Power (Watts):	1200
Input Current (Amps):	12.5

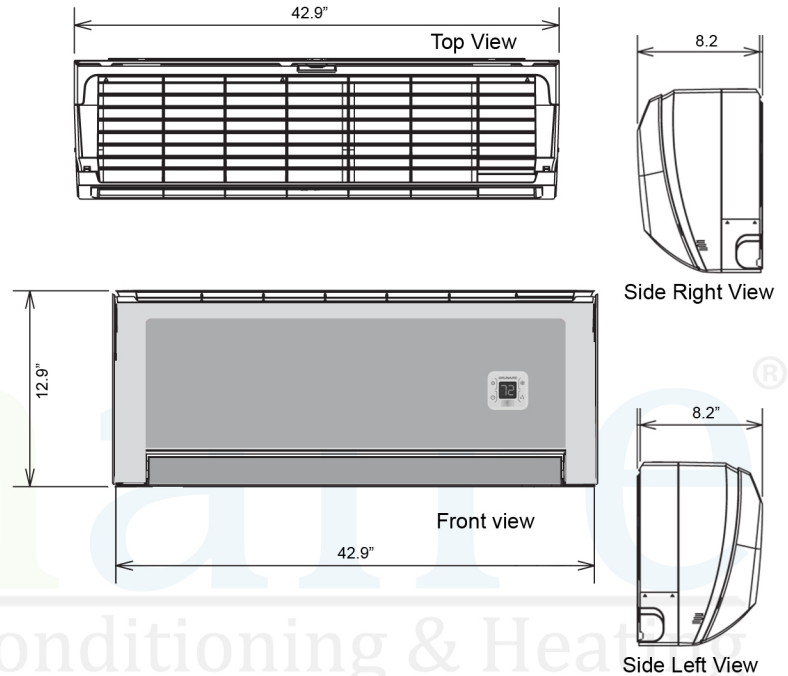
Outdoor Units Specs:

Model Number:	GSU241HXD
Maximum Fuse Size (Amp):	30
Minimum Fuse Size (Amp):	20
Weight (lbs):	118
Sound Rating (dB):	54
Compressor Brand:	Sanyo - Twin Rotary Inverter

Refrigerant Piping Information:

Maximum Length (ft):	100
Maximum Height Difference (ft):	50
Liquid Side (O.D):	1/4"
Suction Side (O.D):	5/8"

GSI241HXD (INDOOR UNIT):



GSU241HXD (OUTDOOR UNIT):

