



Internal Use Only

<http://biz.lgservice.com>

# Multi Air Conditioner

## SVC MANUAL(Exploded View)

MODEL : A2UW183FA0(LMU185HV)

### CAUTION

Before Servicing the unit, read the safety precautions in General SVC manual.  
Only for authorized service personnel.

# 1. Specification

Outdoor Unit			A2UW183FA0(LMU185HV)
Capacity(*)		Btu/h Class	18,000
Power Input (Min. Rated- Max.)	Cooling	kW	0.52~1.26~2.05
	Heating	kW	0.77~1.63~2.18
Running Current (Rated)	Cooling	A	2.3~5.7~9.5
	Heating	A	3.4~7.2~9.6
Starting Current	Cooling/Heating	A	-
Power Supply		Ø / V / Hz	1/208~230/60
Power Supply Cable (Outdoor)		No.x AWG	3 x 14
Transmission Cable (Outdoor to Indoor unit)		No.x AWG	4 x 18 (Including Earth)
Dimensions	W x H x D	mm(inch)	870x655x320 (34 1/4x25 25/32x12 9/16)
Net Weight		kg(lbs)	52(115)
Max. Number of Connectable Indoor Units			2
Compressor	Type		e-Scroll
	Qty x Model		1 x 5CS130XCC03
	Motor type		BLDC
	Oil charge volume	cc	480
Refrigerant	Oil Type		RB68A
	Cycle A Charge (at 7.5m)	g(oz)	1,650(59.97)
	Cycle B Charge (at 7.5m)	g(oz)	-
	Type		R410A
Heat Exchanger	Control		EEV
	(Rows x Column x FPI) x No.		(2R x 28C x 18) x1
	Coil tube dia.	mm(inch)	7(0.276)
Fan motor	Defrosting Method		Reversing cycle
	Capacitor	µ/Vac	6/370
	Drive		Direct (AC)
	Discharge Direction(Side/Top)		Side
Sound Level(H/L)	Air Flow Rate $\dot{A}$ -No. of Fan	CMM(CFM)	53(1,871)
	Sound Pressure		dB(A)+3 51/45
Piping Connections	Liquid(Cycle A)	mm(inch)	6.35(1/4) x 2EA
	Gas(Cycle A)	mm(inch)	9.52(3/8) x 2EA
	Liquid(Cycle B)	mm(inch)	-
	Gas(Cycle B)	mm(inch)	-
Piping length spec.	Max. total piping	m(ft.)	50(164.0)
	Max. OD-ID piping	m(ft.)	25(82.0)
	Piping Length(no add'l refrigerant)	m(ft.)	22.5(73.8)
Max. Elevation Difference	Outdoor Unit-Indoor Unit	m(ft.)	15(49.2)
	Indoor Unit-Indoor Unit	m(ft.)	7.5(24.6)
Operation Range (Outdoor)	Cooling	°C(°F)	-10~46 (14 ~114.8 )
	Heating	°C(°F)	-15 ~ 24 (5~ 75.2)

**Note :**

- Capacities are based on the following conditions:  
 Cooling: - Indoor Temperature 26.7°C(80°F) DB/19.4°C(67°F) WB  
 - Outdoor Temperature 35°C(95°F) DB/23.9°C(75°F) WB  
 Heating: - Indoor Temperature 21.1°C(70°F) DB/15.6°C(60°F) WB  
 - Outdoor Temperature 8.3°C(47°F) DB/6.1°C(43°F) WB  
 Piping Length - Interconnecting Piping Length 7.5m(24.6 ft.)  
 - Level Difference of Zero

Conversion Formula
kW = Btu/h class X 0.0002931
cfm = CMM × 35.3

- Wiring cable size must comply with the applicable local and national code.
- The specification may be subject to change without prior notice for purpose of improvement.
- At least two indoor units should be connected.
- For more Capacity(\*), refer to the combination table

## 2. List of Functions

Category	Function	A2UW183FA0[LMU185HV]
Reliability	Defrost / Deicing	O
	High pressure switch	X
	Low pressure switch	X
	Phase protection	X
	Restart delay (3-minutes)	O
	Self diagnosis	O
	Soft start	O
	Test function	X
Convenience	Auto operation(Artificial intelligence)	O
	Auto restart operation	O
CAC Network Function	Central control(LGAP)	X
	PDI(Power Distribution Indicator)	X
	PI485	X
Special Function Kit	Low ambient operation	O
Others	Thermistor	-

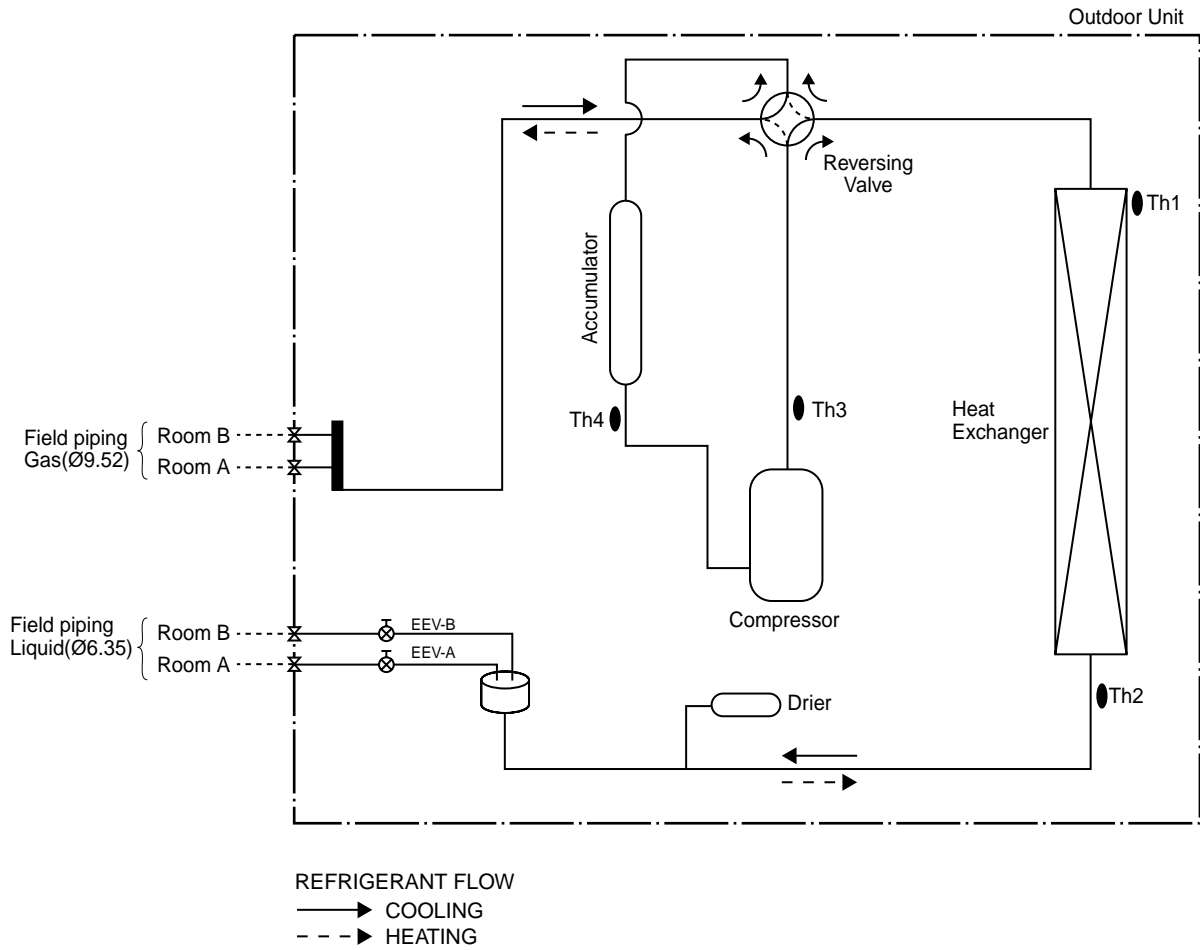
O : Applied    X : Not applied    - : No relation

Option : Model name & price are different according to options, and assembled in factory with main unit.

Accessory : Installed at field, ordered and purchased separately by the corresponding model name, supplied with separate package

★ : These safety switcher are standard or optional features depending on region & country.

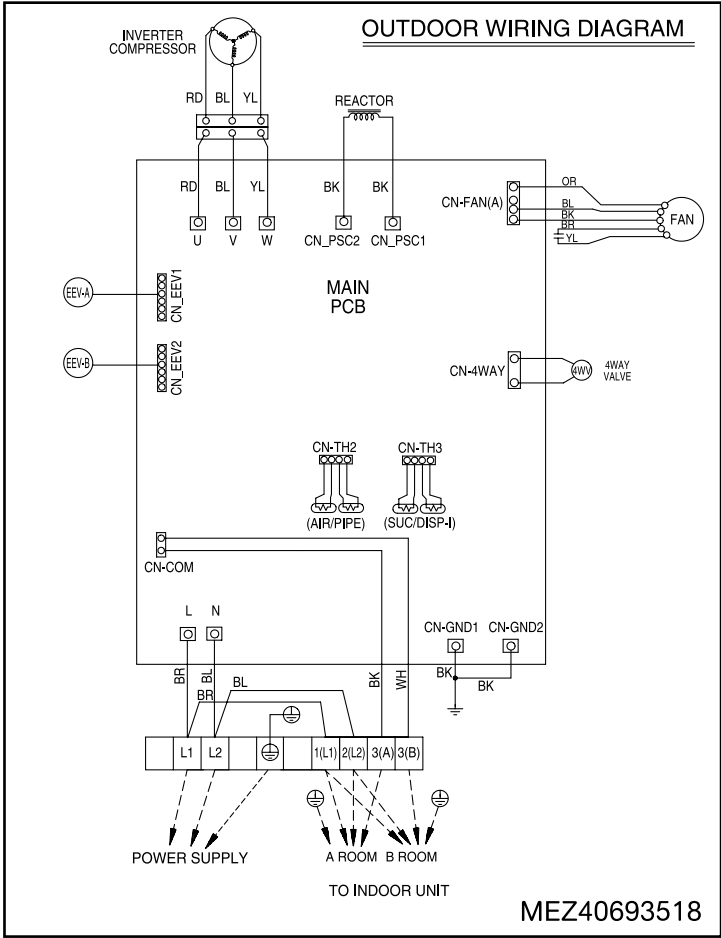
### 3. Piping Diagrams



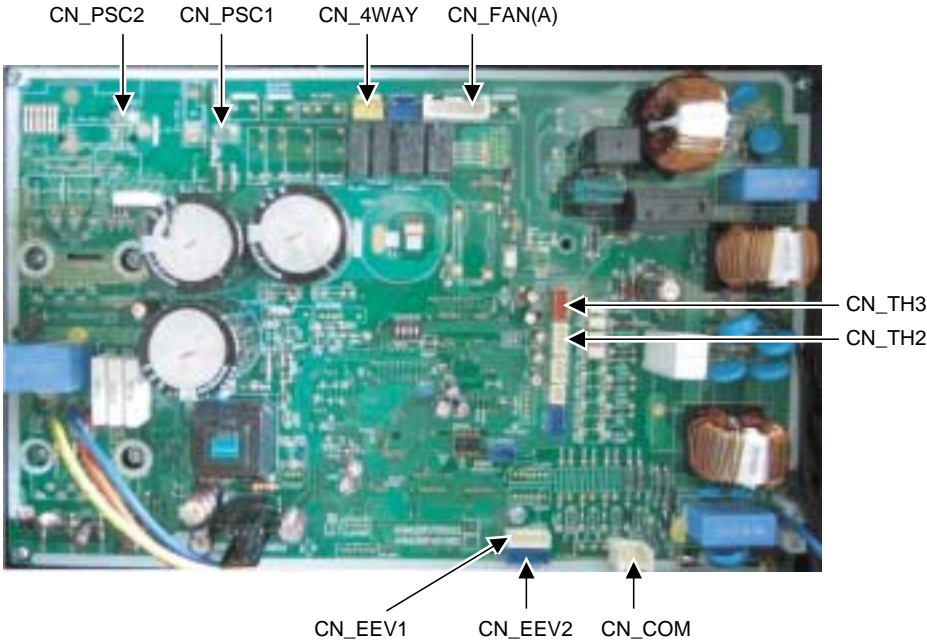
LOC.	Description	PCB Connector
TH1	Thermistor for outdoor air temperature	CN_TH2
TH2	Thermistor for condensing temperature	CN_TH2
TH3	Thermistor for discharge pipe temperature	CN_TH3
TH4	Thermistor for suction pipe temperature	CN_TH3

# 4. Wiring Diagrams

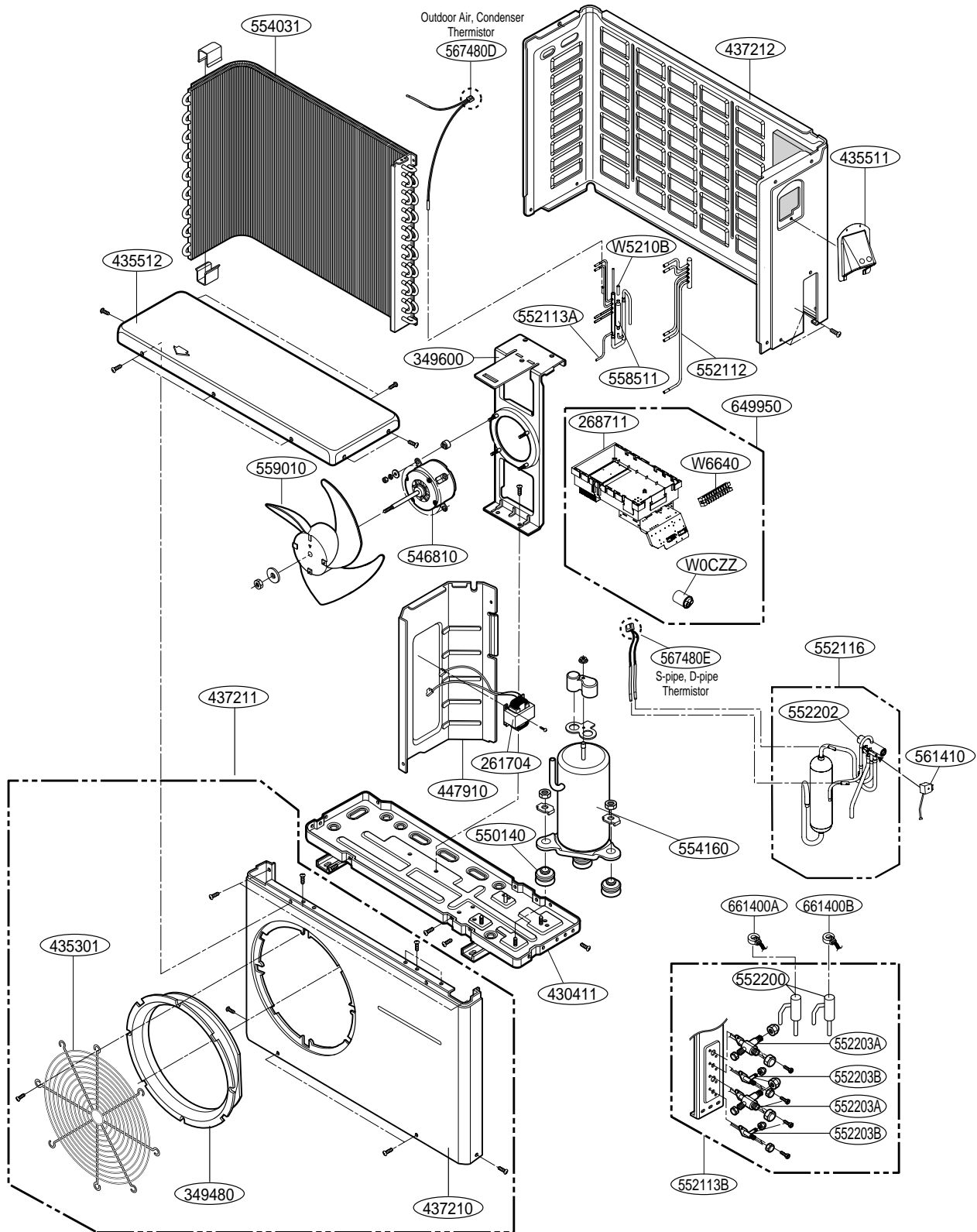
## 1. Wiring Diagram



## 2. PCB



## 5. Exploded View



Note) \* Please ensure GCSC since the replacement parts may be changed depending upon the buyer's request.  
 Please check the correct parts in View RPL(Replacement Part List) on GCSC.  
 (GCSC Website <http://biz.Lgservice.com>.)



P/NO : MFL61777601

FEBRUARY, 2009