

Job Name : _____
 Purchaser : _____
 Engineer : _____
 Submitted To : _____
 Submitted By : _____
 Unit Designation : Schedule No.: _____

Location : _____
 P.O. No. : _____
 Architect : _____
 Date : _____
 For : Reference Approval Construction
 Model No.: _____

Submittal Data : LMU180HE

**Heat Pump
 Dual Zone Multi Split**



Capacities :

Rated Cooling Capacity (Btu/h)	18,000
Power Input (W, Cooling)	1,980
SEER	13.0
EER	9.1
Rated Heating Capacity (Btu/h)	18,000
Power Input (W, Heating)	1,960
HSPF	7.7

Cooling Nominal Test Condition :
 Indoor : 80 DB / 67 WB
 Outdoor : 95 DB / 75 WB
 Pipe Length : 25ft per indoor unit

Heating Nominal Test Condition :
 Indoor : 70 DB / 60 WB
 Outdoor : 47 DB / 43 WB
 Pipe Length : 25ft per indoor unit

Outdoor Unit :

Power Supply (V,Ph,Hz)	230/208,1.60
Minimum Circuit Ampacity (A)	15
Maximum Overcurrent Protection (A)	20
Running Current (A, Cooling/Heating)	8.8/8.8 / 8.6/8.6
Weight (lbs)	132.0
Sound Pressure (dB(A), High Cool, 3.3ft front)	50
Maximum number of indoor units	2

Refrigerant Piping :

Maximum Length (ft)	50 per indoor unit
Maximum Height Difference (ft)	25 per indoor unit
Liquid Side (inches, O.D)	1/4
Gas Side (inches, O.D)	3/8
Refrigerant	R410A

Operating Range :

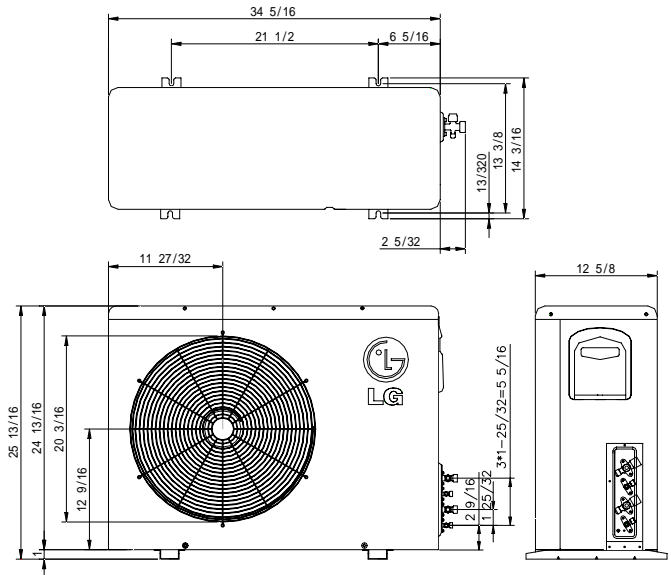
Cooling Operating Range (, standard)	23 - 115
Cooling Operating Range (, w/Low ambient kit)	0 - 115
Heating Operating Range ()	14 - 75

Standard Features :

- Five Year Compressor Warranty
- Two Year Functional Parts Warranty
- Multi Power System™
- Auto Restart
- Flexible Multi Split to pick same style or mix and match two 9k Btu indoor units for the combination
- Ultra Quiet Operation

Note :

LMU180HE



Combination of Indoor Units :

- LMN090HE + LMN090HE
- LMAN090HNS + LMAN090HNS
- LMN090HE + LMAN090HNS